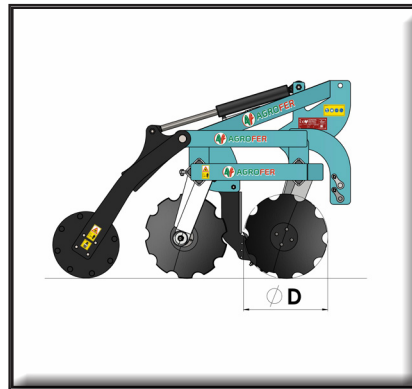
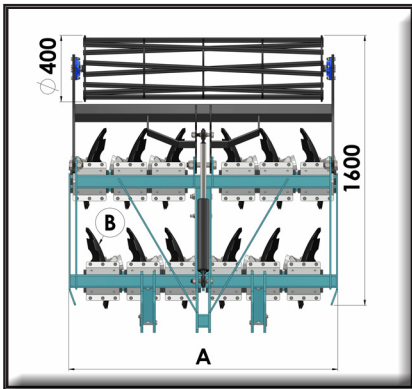



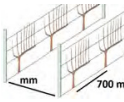



DISK HARROW ERP.DIS

- Cut-tube profile chassis
- 3-points hitch on lift
- Removable cushioned toothed Ø 560 disc kit
- Rear depth roller with 90° lift for facilitate maneuvers
- Roller with hydraulic tractor oil adjustment



MOD.	A	 N° DISKS	 Ø DISKS		 mm	Kg	 HP	€
ERP.DIS 15	1500	12	560	0-200mm	1800	850	80	
ERP.DIS 18	1800	12	560	0-200mm	2300	880	80	
ERP.DIS 20	2000	16	560	0-200mm	2700	950	100	