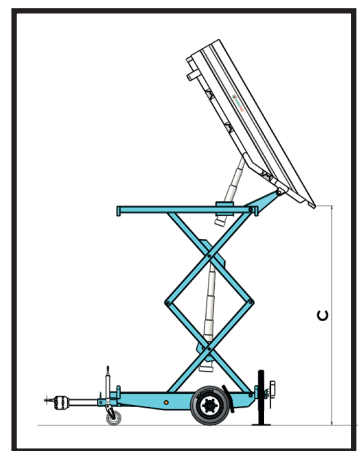
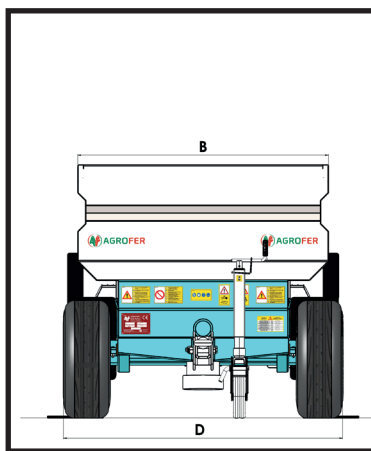
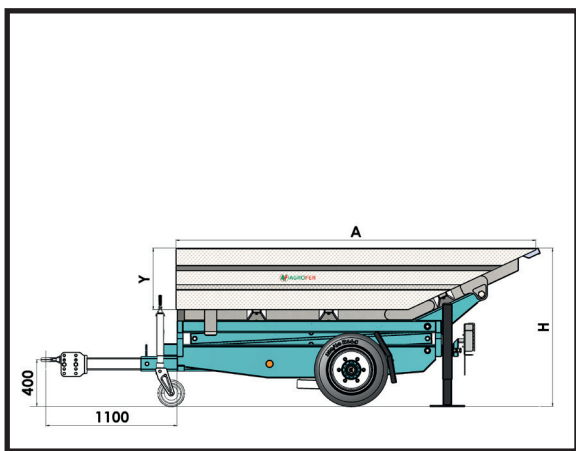
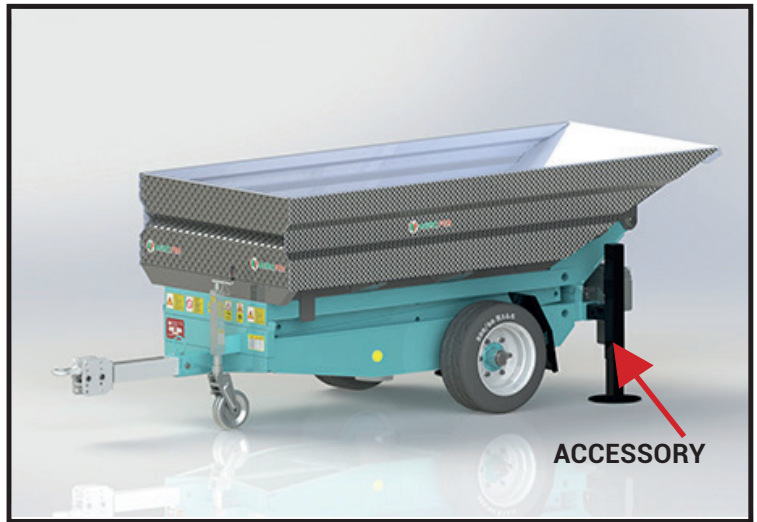





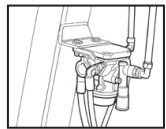
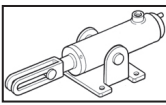
TRAILER DDF INOX

- Cart for grape harvest and transport
- Watertight container made of stainless steel "AISI 304 patterned sheet"
- Fix drawbar
- Rigid axle with mechanical brake 250x60
- Height-adjustable towing eyelet
- Movable support foot
- Double scissors structure, hydraulic lifting with hydraulic cylinder by tractor oil
- With rear unload; container lifting with hydraulic cylinder operated by tractor oil
- Tractor: 2 pairs of double-acting hydraulic jacks



MOD.	A mm	B mm	C mm	D mm	Y mm	H mm		 Kg.	 M ³	€
DDF 13	3000	1300	3500	1400	500	1300	10.075 15.3	1100	1.7	
DDF 15	3000	1500	3500	1600	500	1300	10.075 15.3	1200	2.5	
DDF 18	3500	1800	3300	1800	800	1300	340/55-16	1650	3.5	
DDF 18 S	4000	1800	3300	1800	500	1300	340/55-16	1850	3.0	
DDF 18 M	4000	1800	3300	1800	800	1500	340/55-16	2000	4.5	

BRAKING COST FOR 6000 Kg

	PNEUMATIC	
	HYDRAULIC WITH PEDAL	