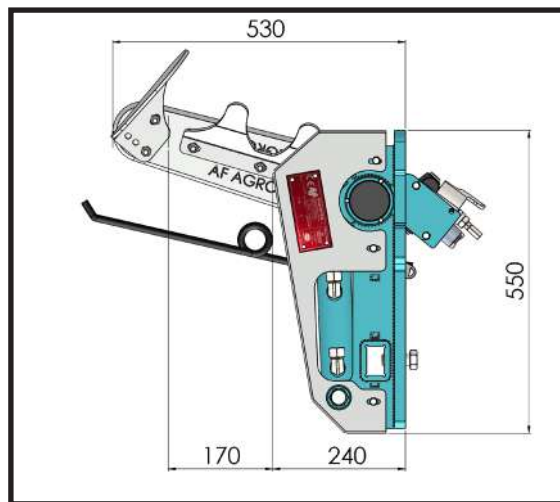
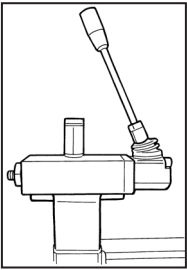
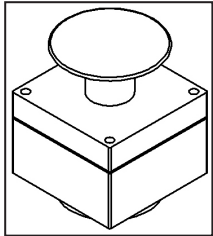
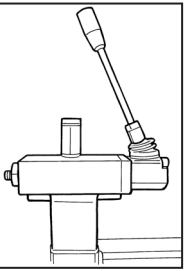

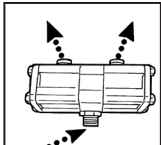


BLADE INTER-ROW MACHINE T40E

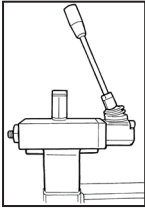
- Blade-head
- Hydraulic operation
- Universal fixing plate
- FEELER PIN AND DOUBLE EFFECT CYLINDER
- Manual control on the tractor for emergency retraction
- 550 mm blade



Manual	Electronic with 12 V electric control
 <p>MOD. T40E DX M</p> <p>* tractor with 1 pair of hydraulic jacks * oil lt/min. 20 Lt</p> <p>Kg 45</p>	 <p>MOD . T40E DX Electronic</p> <p>* tractor with 1 pair of hydraulic jacks * oil lt/min. 20 Lt</p> <p>Kg 45</p>

TRACTOR OIL OPERATION	
 <p>MOD. T40E DX - SX ECO M</p> <p>Kg 90</p>	 <p>MOD . T40E DX - SX ECO Electronic</p>  <p>Complete with gear flow divider 1 pair of hydraulic jacks tractor oil 40 Lt/min</p> <p>Kg 90</p>

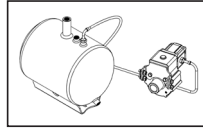
OPERATION WITH PUMP AND OIL TANK



MOD. T40E DX - SX TOP M
standard tractor



MOD . T40E DX - SX TOP Electronic
standard tractor



Complete with 2 pumps and 40lt oil tank
(per Mod. T40E DX - SX)
Kg. 45

Kg 135

Kg 135