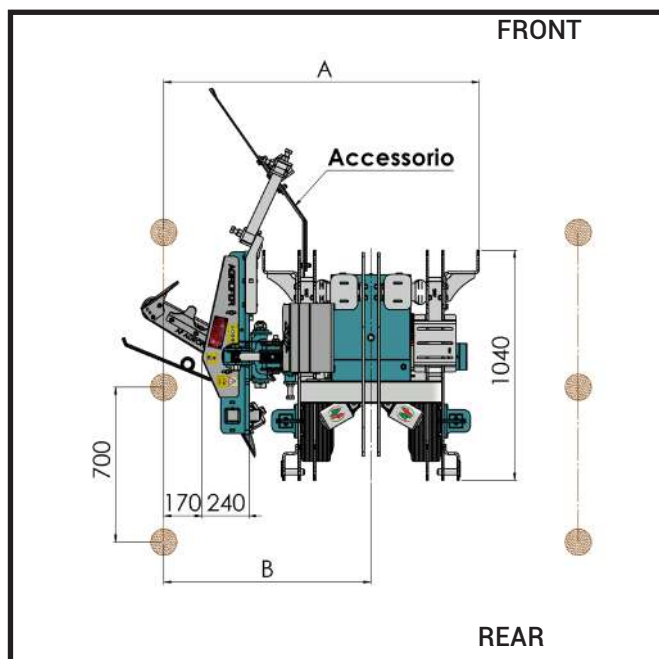
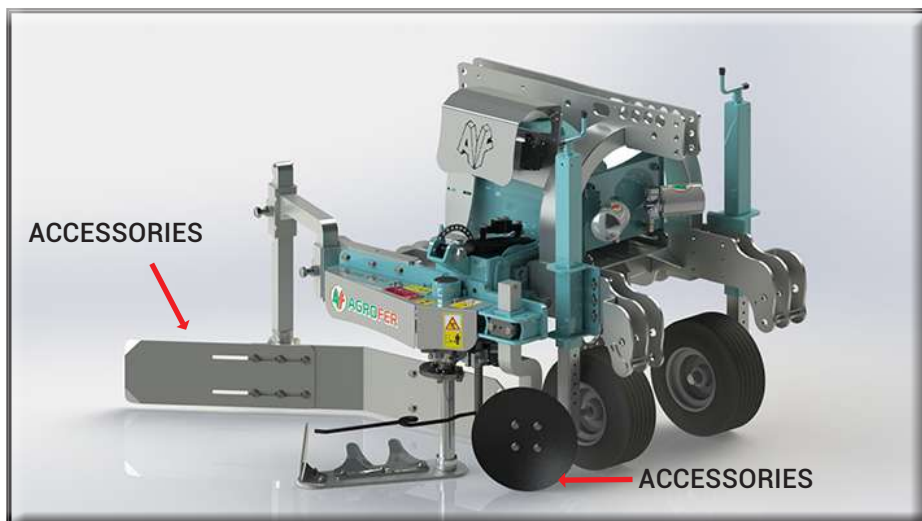


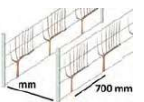


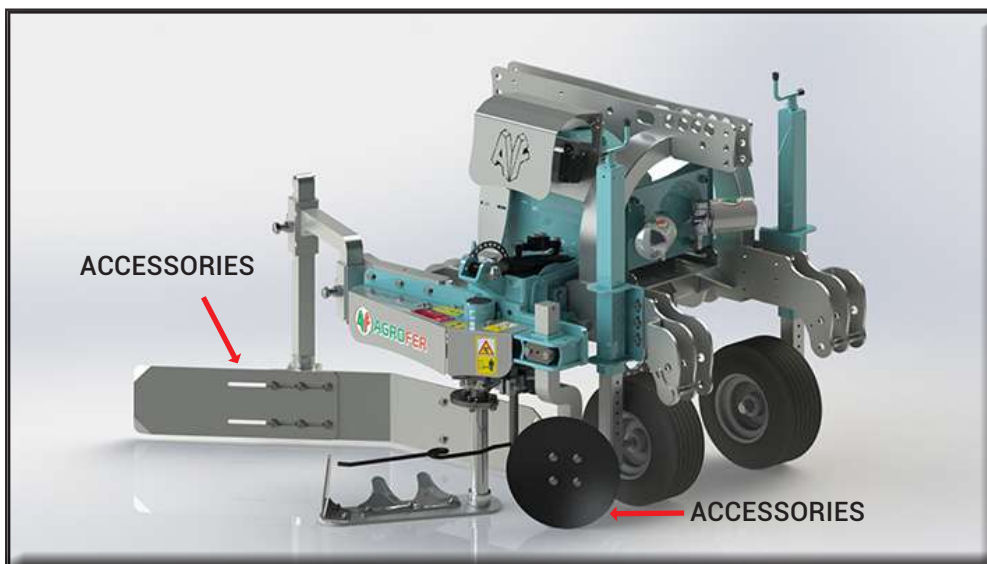
BLADE BARING MACHINE EXPORT DX

DOUBLE EFFECT CYLINDER

- SINGLE BARING MACHINE DX WITH 3 POINTS HITCH REVERSIBLE
- Cut-tube profile chassis
- N° 2 adjustable support rubber wheels
- Hydraulic system
- 550 mm blade tool

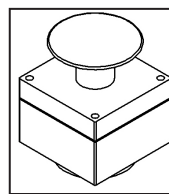


MOD. mm	Kg	A min-max	B min-max	 HP	 min-max	 mm
COMPACT	DA 360 A 580	1480 - 1980	845 - 1345	30	50-200	1400
PICCOLO		1715 - 2215	1080 - 1580	30	50-200	1700
MEDIO		1915 - 2415	1280 - 1780	30	50-200	2500
GRANDE		2015 - 2515	1380 - 1880	30	50-200	3000



EXPORT DX ECO *Electronic*

- System operation with tractor oil
- Oblique inclination of TE/80 DX (right) head: +15° -15° TE/80 DX tractor oil operation
- Hydraulic telescopic extension of the TE/80 DX head (with tractor oil operation): 500 mm
- Electric button panel on tractor for emergency retraction of TE/80 DX head
- TRACTOR with n° 3 pairs of double-acting hydraulic jacks
- Tractor Lt. 30



Mod. COMPACT SOLO
REAR

Mod. PICCOLO

Mod. MEDIO

Mod. GRANDE

EXPORT DX PLUS *Electronic*

- System operation with tractor oil
- With 12V electric button panel to control:
 - 1_ Oblique inclination of TE/80 DX: +15° -15°
 - 2_ Hydraulic telescopic extension of head TE/80 DX: 500 mm
 - 3_ Emergency retraction of head TE/80 DX.
- OIL COOLER
- TRACTOR with 1 pair of double-acting hydraulic jacks
- Tractor: Lt. 40
- HYDRAULIC ACCESSORIES KIT
- Hydraulic tools ON/OFF button



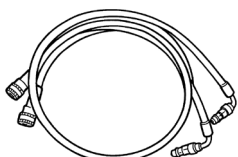
Mod. COMPACT SOLO
REAR

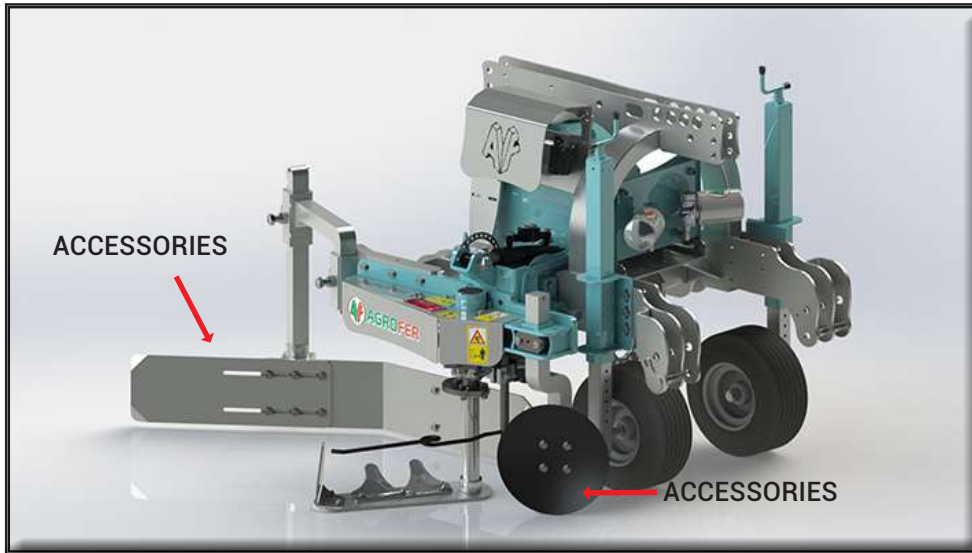
Mod. PICCOLO

Mod. MEDIO

Mod. GRANDE

ON DEMAND FOR MOD. ECO-PLUS

IMAGE	CODE	DESCRIPTION	PRICE
	EX 001	HYDRAULIC PIPES for front application without PTO length 5200 mm N° 1 da 3/4 N° 1 da 1/2	



EXPORT DX TOP *Electronic*

- System operation with oil tank and pump
- With 12V electric button panel to control:
 - 1_Oblique Inclination of TE/80 DX: +15° -15°
 - 2_Hydraulic telescopic extension of head TE/80 DX: 500 mm
 - 3_Emergency retraction of head TE/80 DX.
- TRACTOR with 540 rpm or 1000 rpm PTO
- KIT with pump secured to frame
- Cardan shaft



Mod. COMPACT ONLY REAR
Mod. PICCOLO
Mod. MEDIO
Mod. GRANDE

EXPORT DX PREMIUM *Electronic*

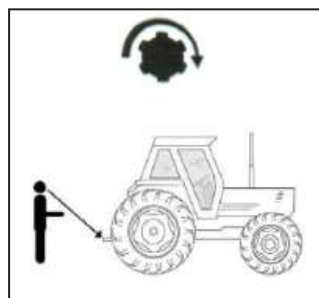
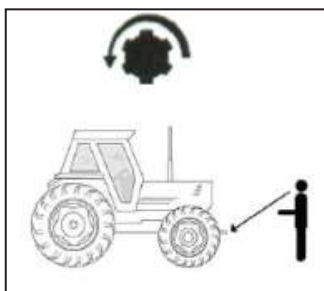
- System operation with oil tank and pump
- With 12V electric button panel to control:
 - 1_ Inclination of TE/80 DX: +15° -15°
 - 2_ Hydraulic telescopic extension of head TE/80 DX: 500 mm
 - 3_ Emergency retraction of head TE/80 DX
- Hydraulic tools ON/OFF button
- Double pump
- OIL COOLER
- TRACTOR with 540 or 1000 PTO
- KIT with pump secured to frame
- Cardan shaft



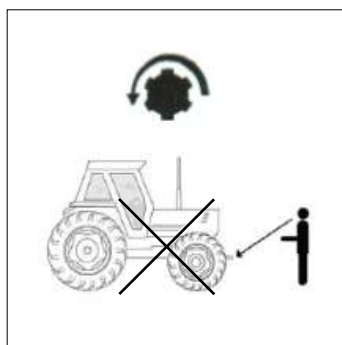
KIT FOR HYDRAULIC ACCESSORIES

Mod. COMPACT ONLY REAR
Mod. PICCOLO
Mod. MEDIO
Mod. GRANDE

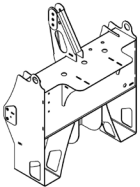
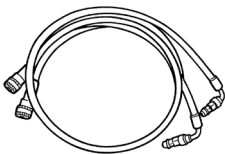
EXPORT DX - PREMIUM STANDARD



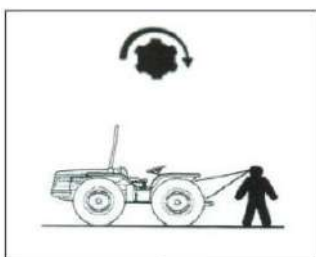
NO FRONT PTO



ONLY FOR MOD. TOP-PREMIUM

IMAGE	CODE	DESCRIPTION	PRICE	MACHINE
	EX 003	3 POINTS CHASSIS without pump; without oil		EXPORT TOP EXPORT PREMIUM
	EX 001	HYDRAULIC PIPES for front application without PTO length 5200 mm N° 1 da 3/4 N° 1 da 1/2		EXPORT TOP
	EX 002	HYDRAULIC PIPES for front application without PTO length 5200 mm N° 1 da 3/4 N° 2 da 1/2		EXPORT PREMIUM

REVERSIBLE



KIT REVERSIBLE

